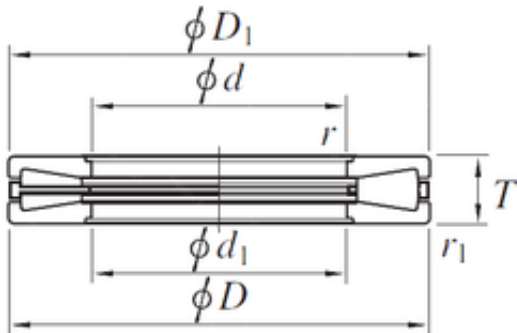




KORTON INDUSTRIAL LIMITED

T16021 Tapered Roller Bearings



Bearing No. T16021

Size	406.4x711.2x146.05 mm
Bore Diameter	406.4 mm
Outer Diameter	711.2 mm
Width	146.05 mm
d	406.4 mm
D	711.2 mm
T	146.05 mm
d1	406.4 mm
r1 min.	9.7 mm
D1	711.2 mm
Weight	256 Kg
Basic dynamic load rating (C)	6 470 kN

T16021 Bearing 2D drawings and 3D CAD models